

FOOD SERVICE TECHNOLOGY CENTER

PROMOTING ENERGY EFFICIENCY IN FOODSERVICE

1.800.398.3782 12949 Alcosta Blvd Suite 101 San Ramon CA 94583

Pre Rinse Spray Nozzle Test Summary Report **FSTC Report #: 5012.09.22** **Date: 07.02.09**

Specifications	
Make	T&S Brass
Model	B-0107-C & EB-0107-C
Rated Flow Rate @ 60 psi (gpm)	0.65

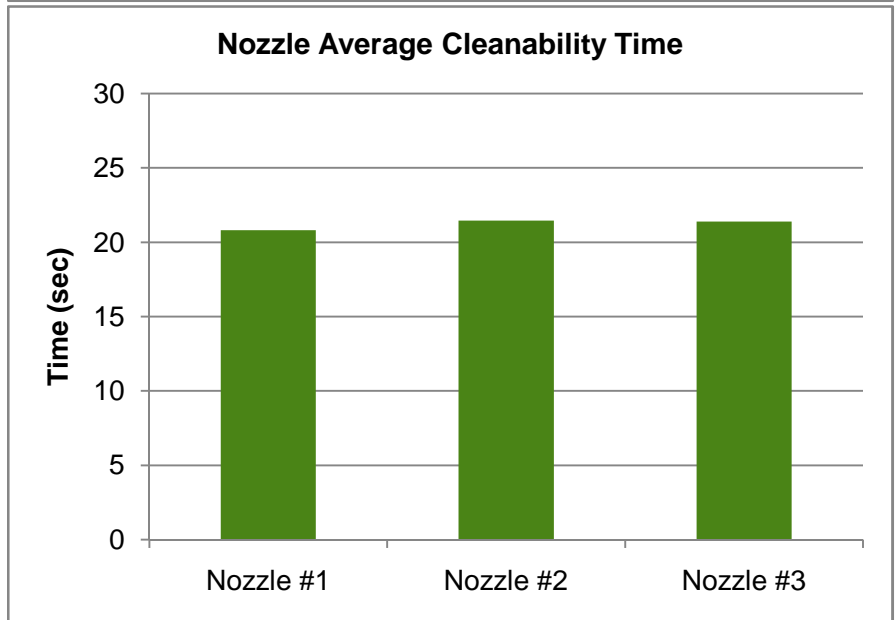
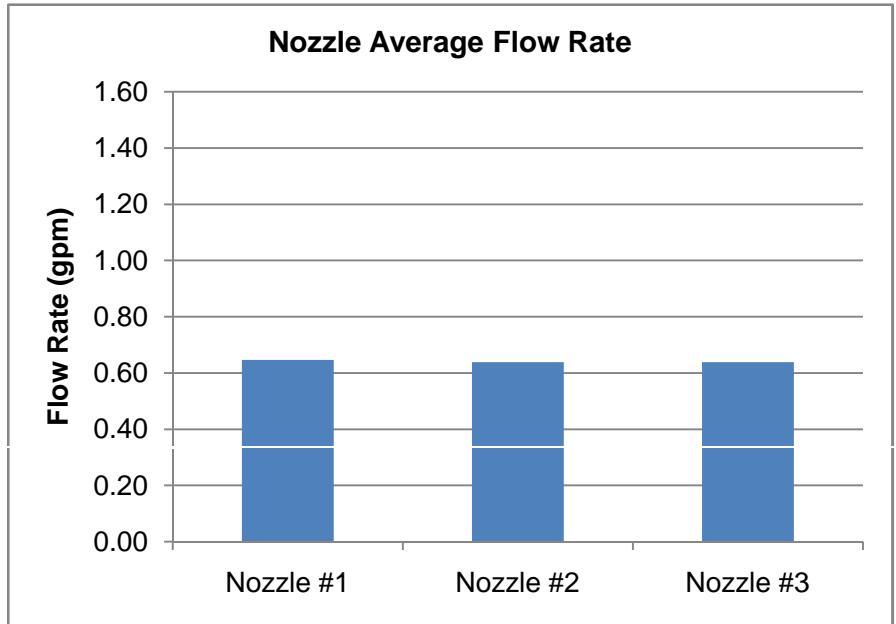
Test Parameters	
Water Pressure	60 ± 2 psi
Water Temperature	120 ± 4°F

Nozzle #1 - Solid Position		
Test	Flow Rate (gpm)	Cleanability (seconds)
1	0.65	21
2	0.65	21
3	0.64	21
Average	0.65	21

Nozzle #2 - Solid Position		
Test	Flow Rate (gpm)	Cleanability (seconds)
1	0.64	21
2	0.64	22
3	0.64	22
Average	0.64	21

Nozzle #3 - Solid Position		
Test	Flow Rate (gpm)	Cleanability (seconds)
1	0.64	21
2	0.64	21
3	0.64	21
Average	0.64	21

Average Results		
	Water Flow (gpm)	Cleanability (seconds)
Nozzle #1	0.65	21
Nozzle #2	0.64	21
Nozzle #3	0.64	21
Average	0.64	21



- Tested in accordance with ASTM F2324 - 03 (Standard Test Method for Prerinse Spray Valves)
- Tested nozzles are in compliance with the minimum performance provisions shown in section 1605.3(h) of CA Title 20 Appliance Efficiency Regulation
- Tested nozzles are in compliance with the appropriate marking requirements shown in section 1607 of CA Title 20 Appliance Efficiency Regulation

- The Food Service Technology Center program is funded by the California utility customer and administered by the Pacific Gas & Electric Company under the auspices of the California Public Utilities Commission



T&S BRASS AND BRONZE WORKS, INC.

2 Saddleback Cove / P.O. Box 1088
Travelers Rest, SC 29690



REG. #A2601
ISO #9001

Model No.

B-0107-C

Item No.

Travelers Rest, SC: 800-476-4103 Simi Valley, CA: 800-423-0150 Fax: 864-834-3518 www.tsbrass.com

This Space for Architect/Engineer Approval

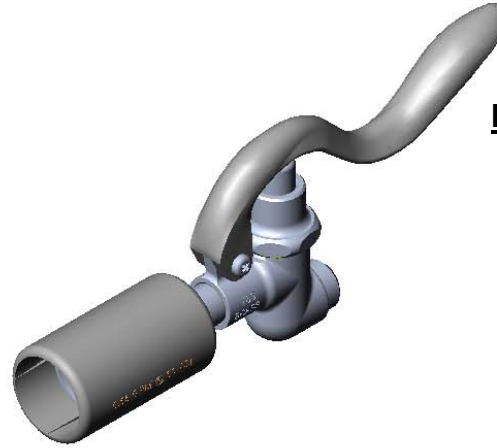
Job Name _____ Date _____

Model Specified _____ Quantity _____

Customer/Wholesaler _____

Contractor _____

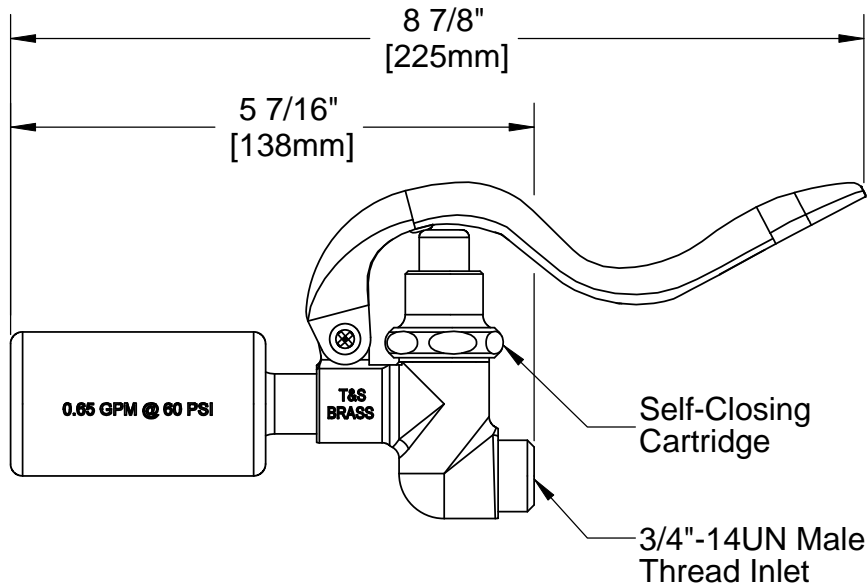
Architect/Engineer _____



EPAct 2005 Compliant



Furnished w/ Hose Washer & Hold Down Ring



Product Specifications:

Self-Closing Pre-Rinse Spray Valve w/ 0.65 GPM Spray Nozzle

Drawn
JRM

Checked
DMH

Approved
JHB

Scale:

1 : 2

Date:

9/01/09



T&S BRASS AND BRONZE WORKS, INC.

2 Saddleback Cove / P.O. Box 1088
Travelers Rest, SC 29690



REG. #A2601
ISO #9001

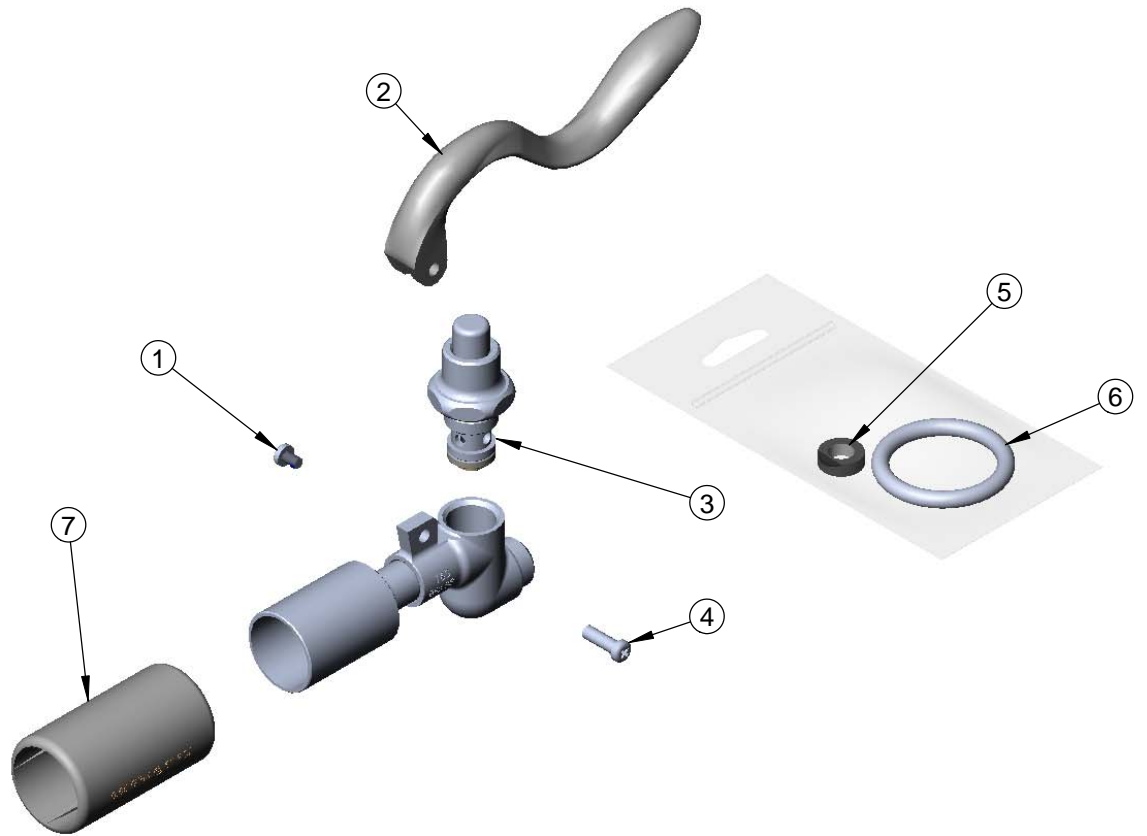
Model No.

B-0107-C

Item No.

Travelers Rest, SC: 800-476-4103 Simi Valley, CA: 800-423-0150 Fax: 864-834-3518 www.tsbrass.com

ITEM NO.	SALES NO.	DESCRIPTION
1	003199-45	Handle Screw, Spray Valve
2	001120-45	Spray Valve Handle
3	002856-40	Bonnet Asm, Spray Valve
4	003198-45	Handle Nut, Spray Valve
5	010476-45	#27 Washer
6	000907-45	Ring, Spray Valve Hold Down
7	017709-45	Shield, Low Flow 0.65 GPM



Product Specifications:

Self-Closing Pre-Rinse Spray Valve w/ 0.65 GPM Spray Nozzle

Drawn
JRM

Checked
DMH

Approved
JHB

Scale:
NTS

Date:
9/01/09



T&S BRASS AND BRONZE WORKS, INC.

2 Saddleback Cove / P.O. Box 1088
Travelers Rest, SC 29690



REG. #A2601
ISO #9001

Model No.

EB-0107-C

Item No.

Travelers Rest, SC: 800-476-4103 Simi Valley, CA: 800-423-0150 Fax: 864-834-3518 www.tsbrass.com

This Space for Architect/Engineer Approval

Job Name _____ Date _____

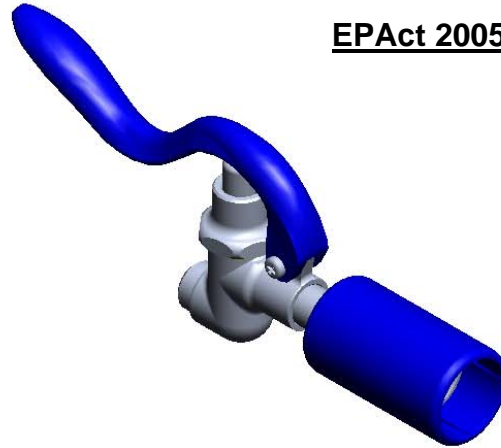
Model Specified _____ Quantity _____

Customer/Wholesaler _____

Contractor _____

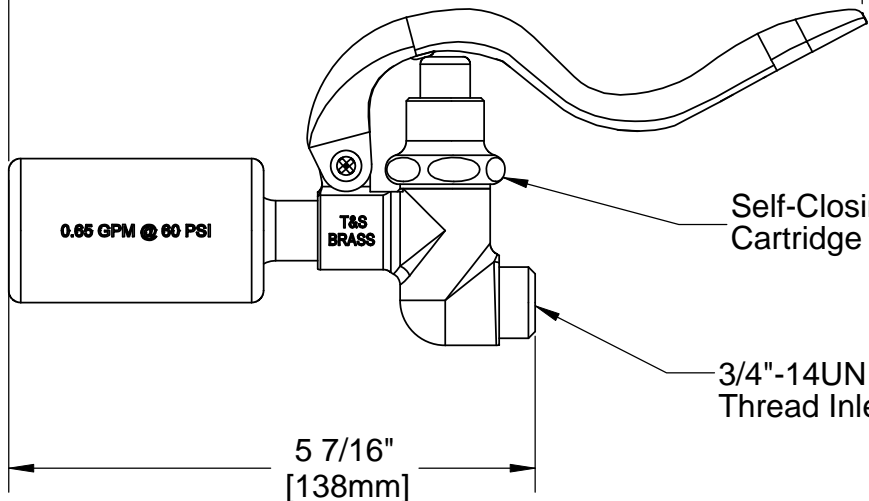
Architect/Engineer _____

EPAct 2005 Compliant



Furnished w/ Hose Washer & Hold Down Ring

8 7/8"
[226mm]



Product Specifications:

Self-Closing Pre-Rinse Spray Valve w/ 0.65 GPM Spray Nozzle

Drawn
JRM

Checked
DMH

Approved
JHB

Scale:

1 : 2

Date:

9/01/09



T&S BRASS AND BRONZE WORKS, INC.

2 Saddleback Cove / P.O. Box 1088
Travelers Rest, SC 29690



REG. #A2601
ISO #9001

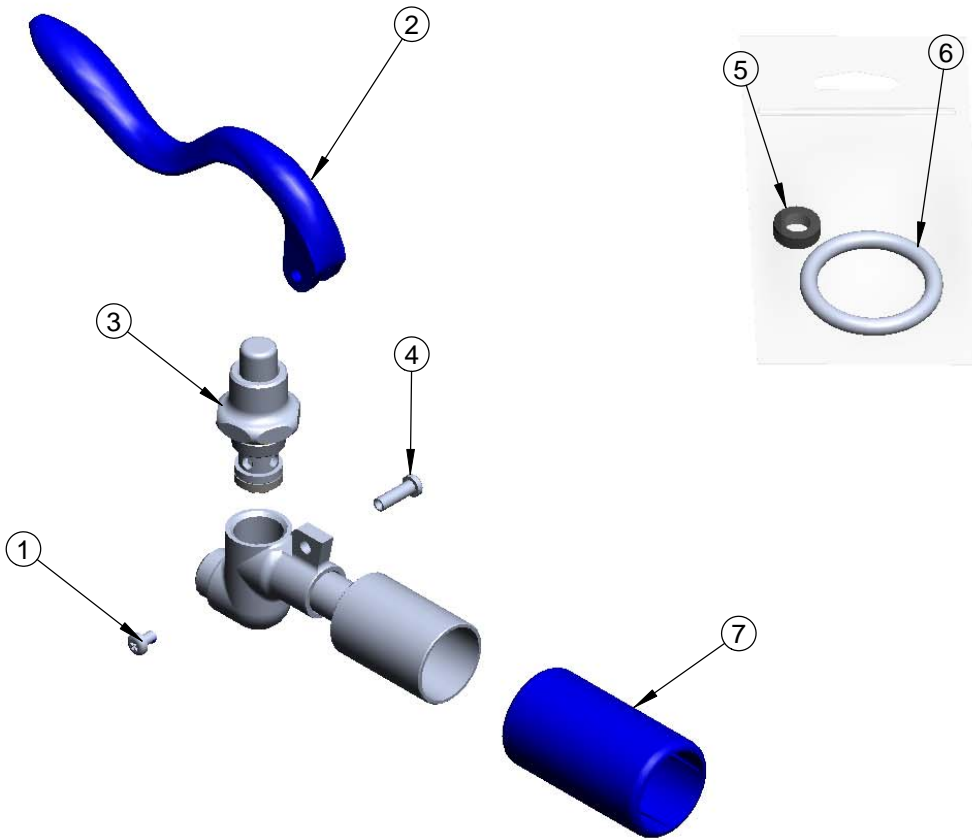
Model No.

EB-0107-C

Item No.

Travelers Rest, SC: 800-476-4103 Simi Valley, CA: 800-423-0150 Fax: 864-834-3518 www.tsbrass.com

ITEM NO.	SALES NO.	DESCRIPTION
1	003199-45	Handle Screw, Spray Valve
2	001120-45	Spray Valve Handle
3	002856-40	Bonnet Asm, Spray Valve
4	003198-45	Handle Nut, Spray Valve
5	010476-45	#27 Washer
6	000907-45	Ring, Spray Valve Hold Down
7	017710-45	Shield, Low Flow 0.65GPM



Product Specifications:

Self-Closing Pre-Rinse Spray Valve w/ 0.65 GPM Spray Nozzle

Drawn
JRM

Checked
DMH

Approved
JHB

Scale:
NTS

Date:
9/01/09

Nozzle #1 Data Recording Sheet

Make	T&S Brass		
Model	B-0107-C & EB-0107-C		
Rated Flow Rate	0.65		
Measured %/rated	1%		

Measured Flowrate		
	#/H2O	gpm
Test #1	5.4	0.65
Test #2	5.385	0.65
Test #3	5.37	0.64
Average	5.3850	0.6459

Measured Cleanability Times (sec)		
TEST 1	TEST 2	TEST 3
20.97	19.89	21.89
22.17	18.88	20.81
20.08	21.83	20.91
19.04	19.47	24.59
19.9	19.49	18.5
21.19	20.4	20.46
22.76	20.47	21.07
19.38	19.42	23.37
20.83	17.77	22.13
22.78	18.7	20.71
21.67	21.83	21.46
18.28	21.67	18.18
18.89	22.87	20.07
23.33	22.8	17.6
22.05	20.12	20.02
18.93	22.94	18.29
20.63	22.01	20.13
23.54	21.19	23.06
19.93	20.49	20.29
21.99	21.95	22.66
Average	Average	Average
20.92	20.71	20.81

Nozzle #2 Data Recording Sheet

Make	T&S Brass		
Model	B-0107-C & EB-0107-C		
Rated Flow Rate	0.65		
Measured %/rated	2%		

Measured Flowrate		
	#/H2O	gpm
Test #1	5.335	0.64
Test #2	5.31	0.64
Test #3	5.31	0.64
Average	5.3183	0.6379

Measured Cleanability Times (sec)		
TEST 1	TEST 2	TEST 3
19.37	19.46	22.33
20.64	20.93	23.14
19.15	22.27	19.4
20.04	19.62	23.13
22.13	20.03	20.87
20.4	21.33	21.98
22.32	27.9	20.23
21.33	22.35	22.93
22.13	22.37	21.53
23.01	20.49	20.02
20.04	21.67	20.37
20.5	22.05	22.26
20.12	22.67	20.47
25.55	24.73	24.24
21.33	21.49	22.4
18.63	21.47	19.35
19.3	19.49	20.88
21.8	23.58	22.29
21.34	22.27	23.33
20.37	20.93	19.29
Average	Average	Average
20.98	21.86	21.52

Nozzle #3 Data Recording Sheet

Make	T&S Brass		
Model	B-0107-C & EB-0107-C		
Rated Flow Rate	0.65		
Measured %/rated	2%		

Measured Flowrate		
	#/H2O	gpm
Test #1	5.305	0.64
Test #2	5.32	0.64
Test #3	5.345	0.64
Average	5.3233	0.6385

Measured Cleanability Times (sec)		
TEST 1	TEST 2	TEST 3
19.57	20.23	20.22
19.94	23.74	21.73
22.13	18.58	19.84
19.47	19.31	21.86
22.56	20.91	22.42
21.39	21.97	20.67
20.47	21.32	19.92
20.73	21.07	20.46
22.42	20.83	20.95
24.9	21.44	23.09
21.29	20.25	24.91
20.99	23.64	20.15
21.48	23.93	22.42
20.32	21.56	21.24
23.07	20.11	20.51
20.35	23.64	21.67
23.39	20	21.03
20.98	20.96	22.16
21.21	21.88	21.06
21.03	23.4	20.56
Average	Average	Average
21.38	21.44	21.34