

FOOD SERVICE TECHNOLOGY CENTER

PROMOTING ENERGY EFFICIENCY IN FOODSERVICE

1.800.398.3782 12949 Alcosta Blvd Suite 101 San Ramon CA 94583

Pre Rinse Spray Nozzle Test Summary Report **FSTC Report #: 5012.09.22** **Date: 07.02.09**

Specifications	
Make	T&S Brass
Model	B-0107-C & EB-0107-C
Rated Flow Rate @ 60 psi (gpm)	0.65

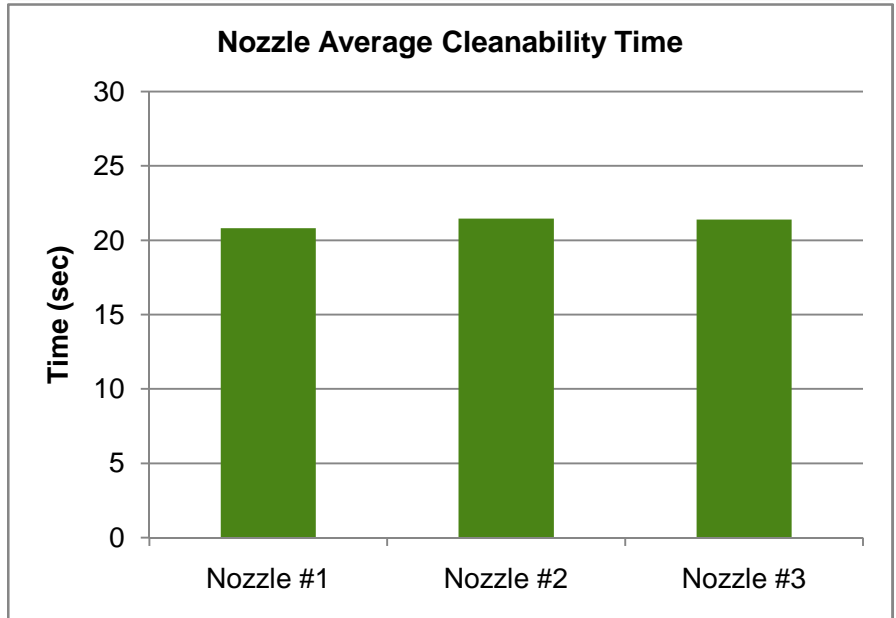
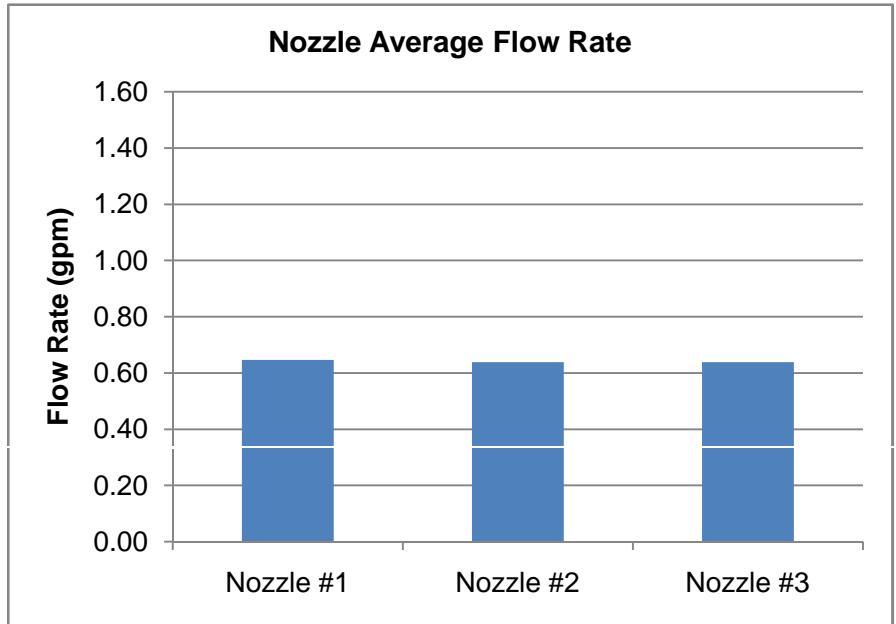
Test Parameters	
Water Pressure	60 ± 2 psi
Water Temperature	120 ± 4°F

Nozzle #1 - Solid Position		
Test	Flow Rate (gpm)	Cleanability (seconds)
1	0.65	21
2	0.65	21
3	0.64	21
Average	0.65	21

Nozzle #2 - Solid Position		
Test	Flow Rate (gpm)	Cleanability (seconds)
1	0.64	21
2	0.64	22
3	0.64	22
Average	0.64	21

Nozzle #3 - Solid Position		
Test	Flow Rate (gpm)	Cleanability (seconds)
1	0.64	21
2	0.64	21
3	0.64	21
Average	0.64	21

Average Results		
	Water Flow (gpm)	Cleanability (seconds)
Nozzle #1	0.65	21
Nozzle #2	0.64	21
Nozzle #3	0.64	21
Average	0.64	21



- Tested in accordance with ASTM F2324 - 03 (Standard Test Method for Prerinse Spray Valves)
- Tested nozzles are in compliance with the minimum performance provisions shown in section 1605.3(h) of CA Title 20 Appliance Efficiency Regulation
- Tested nozzles are in compliance with the appropriate marking requirements shown in section 1607 of CA Title 20 Appliance Efficiency Regulation

- The Food Service Technology Center program is funded by the California utility customer and administered by the Pacific Gas & Electric Company under the auspices of the California Public Utilities Commission



T&S BRASS AND BRONZE WORKS, INC.

2 Saddleback Cove / P.O. Box 1088
Travelers Rest, SC 29690



REG. #A2601
ISO #9001

Model No.

B-0107-C

Item No.

Travelers Rest, SC: 800-476-4103 Simi Valley, CA: 800-423-0150 Fax: 864-834-3518 www.tsbrass.com

This Space for Architect/Engineer Approval

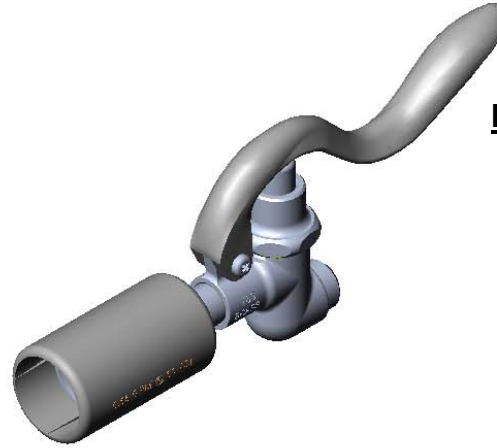
Job Name _____ Date _____

Model Specified _____ Quantity _____

Customer/Wholesaler _____

Contractor _____

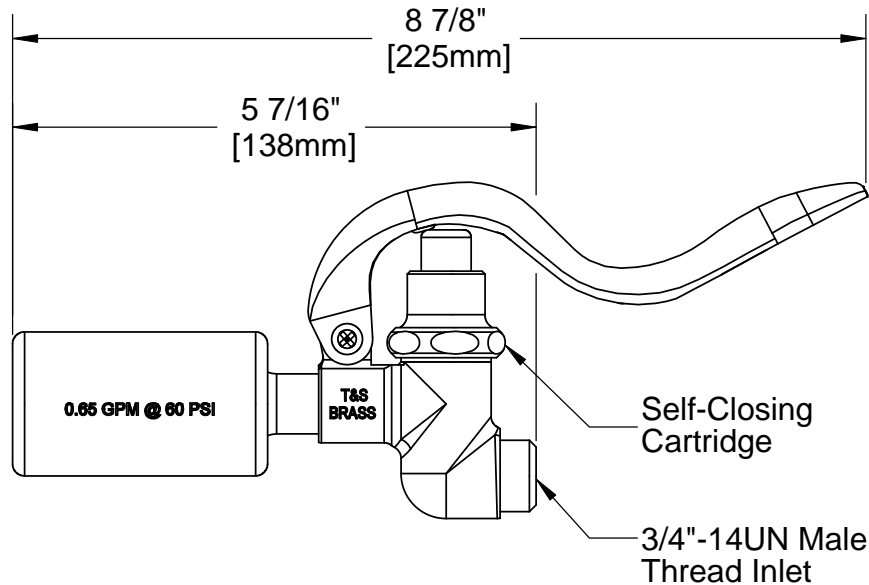
Architect/Engineer _____



EPAct 2005 Compliant



Furnished w/ Hose Washer & Hold Down Ring



Product Specifications:

Self-Closing Pre-Rinse Spray Valve w/ 0.65 GPM Spray Nozzle

Drawn
JRM

Checked
DMH

Approved
JHB

Scale:
1 : 2

Date:
9/01/09



T&S BRASS AND BRONZE WORKS, INC.

2 Saddleback Cove / P.O. Box 1088
Travelers Rest, SC 29690



REG. #A2601
ISO #9001

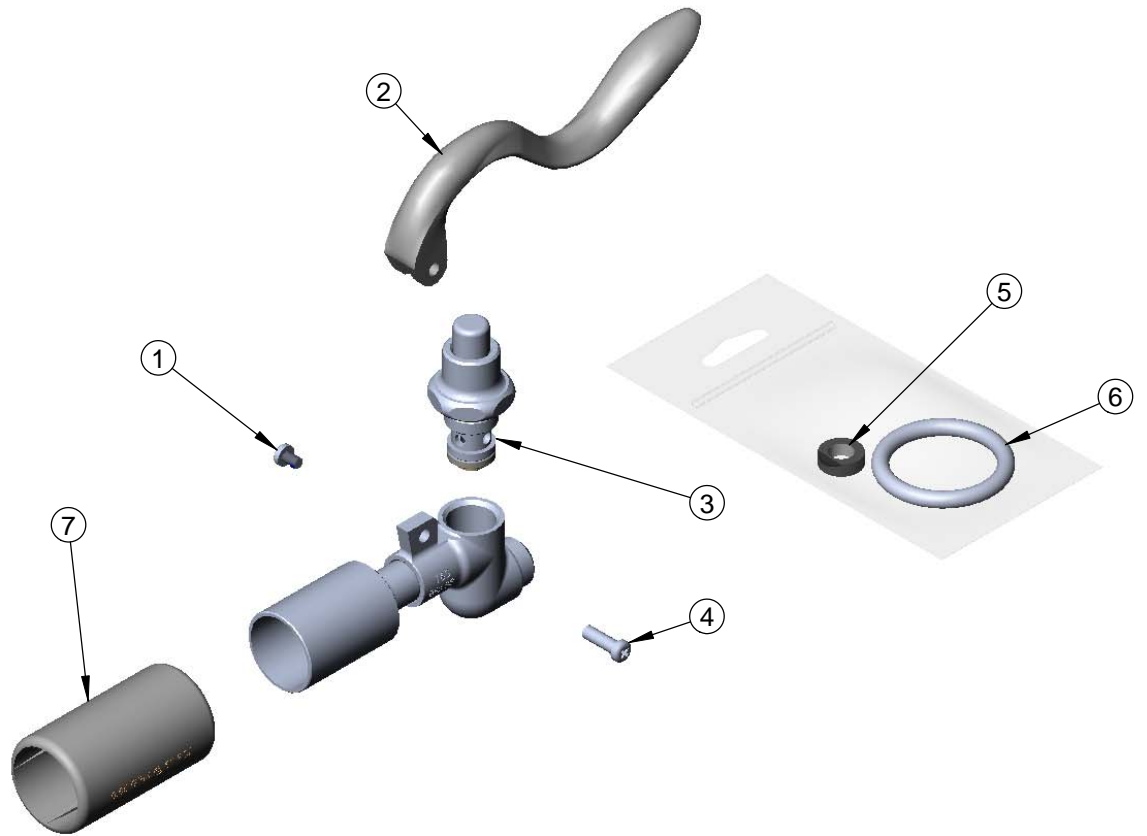
Model No.

B-0107-C

Item No.

Travelers Rest, SC: 800-476-4103 Simi Valley, CA: 800-423-0150 Fax: 864-834-3518 www.tsbrass.com

ITEM NO.	SALES NO.	DESCRIPTION
1	003199-45	Handle Screw, Spray Valve
2	001120-45	Spray Valve Handle
3	002856-40	Bonnet Asm, Spray Valve
4	003198-45	Handle Nut, Spray Valve
5	010476-45	#27 Washer
6	000907-45	Ring, Spray Valve Hold Down
7	017709-45	Shield, Low Flow 0.65 GPM



Product Specifications:

Self-Closing Pre-Rinse Spray Valve w/ 0.65 GPM Spray Nozzle

Drawn
JRM

Checked
DMH

Approved
JHB

Scale:
NTS

Date:
9/01/09



T&S BRASS AND BRONZE WORKS, INC.

2 Saddleback Cove / P.O. Box 1088
Travelers Rest, SC 29690



REG. #A2601
ISO #9001

Model No.

EB-0107-C

Item No.

Travelers Rest, SC: 800-476-4103 Simi Valley, CA: 800-423-0150 Fax: 864-834-3518 www.tsbrass.com

This Space for Architect/Engineer Approval

Job Name _____ Date _____

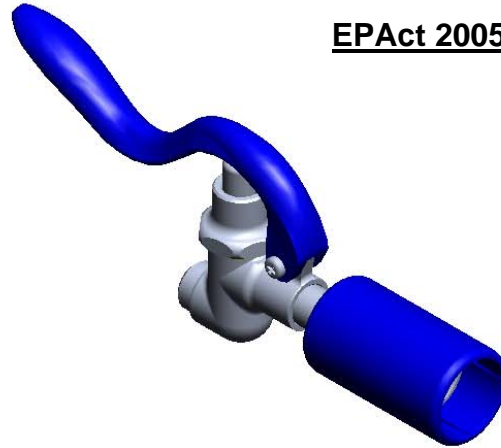
Model Specified _____ Quantity _____

Customer/Wholesaler _____

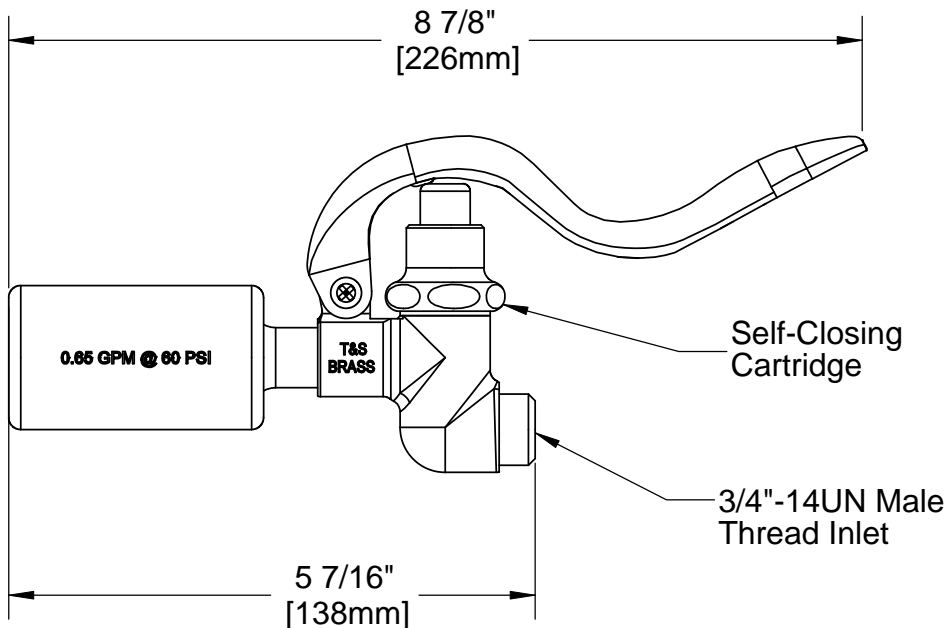
Contractor _____

Architect/Engineer _____

EPAct 2005 Compliant



Furnished w/ Hose Washer & Hold Down Ring



Product Specifications:

Self-Closing Pre-Rinse Spray Valve w/ 0.65 GPM Spray Nozzle

Drawn
JRM

Checked
DMH

Approved
JHB

Scale:

1 : 2

Date:

9/01/09



T&S BRASS AND BRONZE WORKS, INC.

2 Saddleback Cove / P.O. Box 1088
Travelers Rest, SC 29690



REG. #A2601
ISO #9001

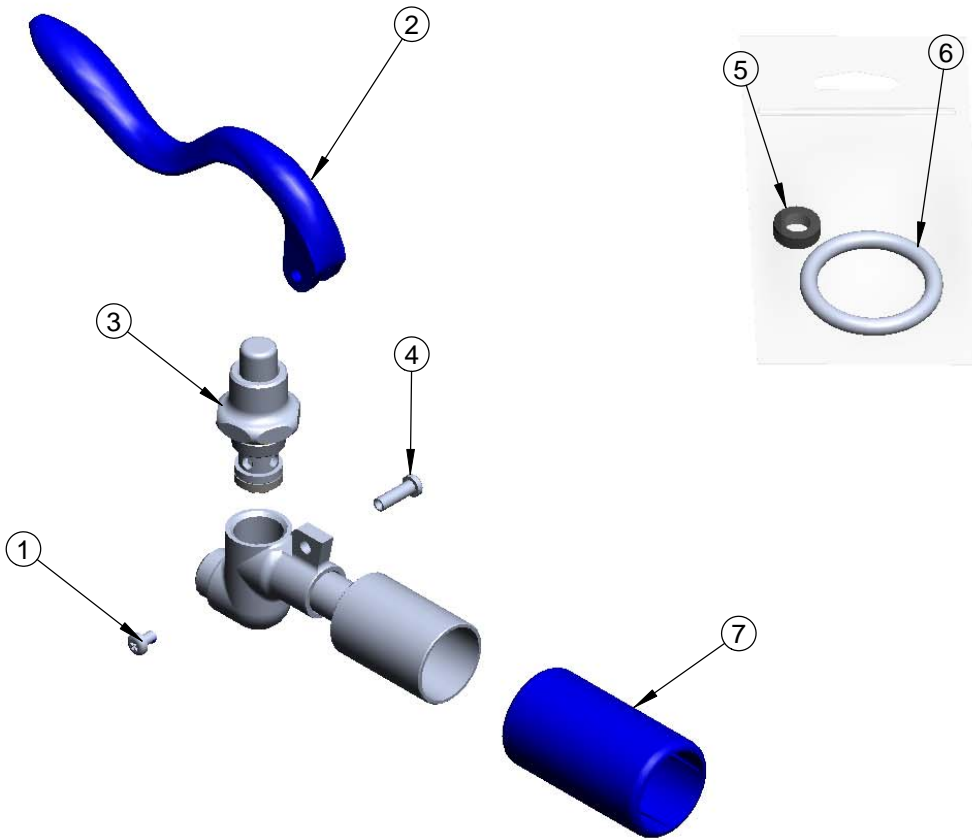
Model No.

EB-0107-C

Item No.

Travelers Rest, SC: 800-476-4103 Simi Valley, CA: 800-423-0150 Fax: 864-834-3518 www.tsbrass.com

ITEM NO.	SALES NO.	DESCRIPTION
1	003199-45	Handle Screw, Spray Valve
2	001120-45	Spray Valve Handle
3	002856-40	Bonnet Asm, Spray Valve
4	003198-45	Handle Nut, Spray Valve
5	010476-45	#27 Washer
6	000907-45	Ring, Spray Valve Hold Down
7	017710-45	Shield, Low Flow 0.65GPM



Product Specifications:

Self-Closing Pre-Rinse Spray Valve w/ 0.65 GPM Spray Nozzle

Drawn
JRM

Checked
DMH

Approved
JHB

Scale:
NTS

Date:
9/01/09

Nozzle #1 Data Recording Sheet

Make	T&S Brass		
Model	B-0107-C & EB-0107-C		
Rated Flow Rate	0.65		
Measured %/rated	1%		

Measured Flowrate		
	#/H2O	gpm
Test #1	5.4	0.65
Test #2	5.385	0.65
Test #3	5.37	0.64
Average	5.3850	0.6459

Measured Cleanability Times (sec)		
TEST 1	TEST 2	TEST 3
20.97	19.89	21.89
22.17	18.88	20.81
20.08	21.83	20.91
19.04	19.47	24.59
19.9	19.49	18.5
21.19	20.4	20.46
22.76	20.47	21.07
19.38	19.42	23.37
20.83	17.77	22.13
22.78	18.7	20.71
21.67	21.83	21.46
18.28	21.67	18.18
18.89	22.87	20.07
23.33	22.8	17.6
22.05	20.12	20.02
18.93	22.94	18.29
20.63	22.01	20.13
23.54	21.19	23.06
19.93	20.49	20.29
21.99	21.95	22.66
Average	Average	Average
20.92	20.71	20.81

Nozzle #2 Data Recording Sheet

Make	T&S Brass		
Model	B-0107-C & EB-0107-C		
Rated Flow Rate	0.65		
Measured %/rated	2%		

Measured Flowrate		
	#/H2O	gpm
Test #1	5.335	0.64
Test #2	5.31	0.64
Test #3	5.31	0.64
Average	5.3183	0.6379

Measured Cleanability Times (sec)		
TEST 1	TEST 2	TEST 3
19.37	19.46	22.33
20.64	20.93	23.14
19.15	22.27	19.4
20.04	19.62	23.13
22.13	20.03	20.87
20.4	21.33	21.98
22.32	27.9	20.23
21.33	22.35	22.93
22.13	22.37	21.53
23.01	20.49	20.02
20.04	21.67	20.37
20.5	22.05	22.26
20.12	22.67	20.47
25.55	24.73	24.24
21.33	21.49	22.4
18.63	21.47	19.35
19.3	19.49	20.88
21.8	23.58	22.29
21.34	22.27	23.33
20.37	20.93	19.29
Average	Average	Average
20.98	21.86	21.52

Nozzle #3 Data Recording Sheet

Make	T&S Brass		
Model	B-0107-C & EB-0107-C		
Rated Flow Rate	0.65		
Measured %/rated	2%		

Measured Flowrate		
	#/H2O	gpm
Test #1	5.305	0.64
Test #2	5.32	0.64
Test #3	5.345	0.64
Average	5.3233	0.6385

Measured Cleanability Times (sec)		
TEST 1	TEST 2	TEST 3
19.57	20.23	20.22
19.94	23.74	21.73
22.13	18.58	19.84
19.47	19.31	21.86
22.56	20.91	22.42
21.39	21.97	20.67
20.47	21.32	19.92
20.73	21.07	20.46
22.42	20.83	20.95
24.9	21.44	23.09
21.29	20.25	24.91
20.99	23.64	20.15
21.48	23.93	22.42
20.32	21.56	21.24
23.07	20.11	20.51
20.35	23.64	21.67
23.39	20	21.03
20.98	20.96	22.16
21.21	21.88	21.06
21.03	23.4	20.56
Average	Average	Average
21.38	21.44	21.34



Food Service Technology Center

Addendum: Report Certification

EPA Organization ID: 1113443

This certifies that the undersigned has performed equipment testing according to the methodology outlined in the report described below, and verifies that the results recorded in that report were the actual results observed.

Report: T&S Brass Pre-rinse Spray Valve (Models B-0107-C & EB-0107-C) 60-plate Report

Report #: 11120-R0 Date published: March 2012

File name: TS Brass B-0107-C Final Report.pdf

Date sent for
authorization: 12/10/2012

Tested by:

Adam J. Cornelius
(signature)

Date signed: 12/10/12

Adam Cornelius
(print name)

Energy Analyst
(title)

Authorization:

David Zabrowski
(signature)

Date signed: 12/11/12

David Zabrowski
(print name)

Director of Engineering
(title)